



FUTURE IMPROVEMENTS

BOLIVAR DR.

UNION PACIFIC RAILROAD

WETLAND

EXISTING DISC GOLF AREA

AQUATIC PARK LAGOON

EXISTING DISC GOLF AREA

LEGEND

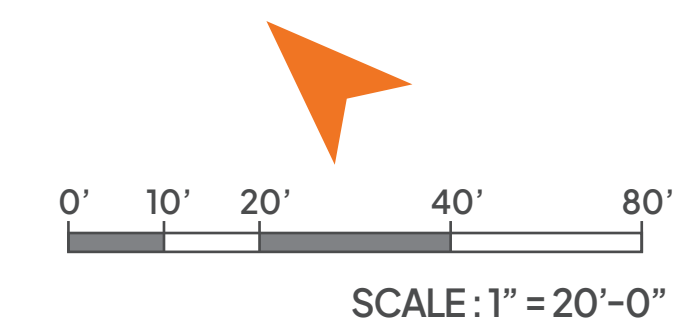
Dreamland for kids has been a beloved staple of the community for over 20 years. Concept A re-imagines this destination playground into an even more fantastical space filled with whimsy and wonder. The playground evokes themes of long ago through imaginative play, sensory activities and high towers. It features ample room for family gatherings at group picnic areas, and a new accessible restroom building can be utilized by playground and bike path visitors alike. There is something for everyone of all abilities, ages and cultures at Dreamland for Kids.

- | | | |
|--|---|--|
| 1 Accessible Drop-Off Zone | 11 Shade Structures | 21 Jr. Knight's Structure |
| 2 Parking Lot - 20 Spaces +/- | 12 Group Picnic Area with Tables and BBQ | 22 Spinners |
| 3 10ft Wide Multi-Use Path / Bicycle Route | 13 Low Perimeter Fencing | 23 Watchtower |
| 4 Park Sign on Decorative Wall | 14 Sensory Water Plaza | 24 Cylindrical Tower with Slide |
| 5 Separated Pedestrian Route | 15 Restroom Building | 25 See-Saw |
| 6 Entrance to Boardwalk with Educational Signage | 16 Accessible Sloping Route to Play Tower | 26 Observation Bench Seats |
| 7 Bioretention Area | 17 Artificial Grass Play Slope | 27 Flexible Use Lawn |
| 8 Wood Boardwalk through Bioretention Area | 18 Embankment Slides on Rocky Slope | 28 Outdoor Classroom/Amphitheater |
| 9 Public Art | 19 Swings | 29 Connection to Existing Multi-Use Path |
| 10 Existing Mound with Trees | 20 Concrete Mythical Creature | 30 Retaining Wall |

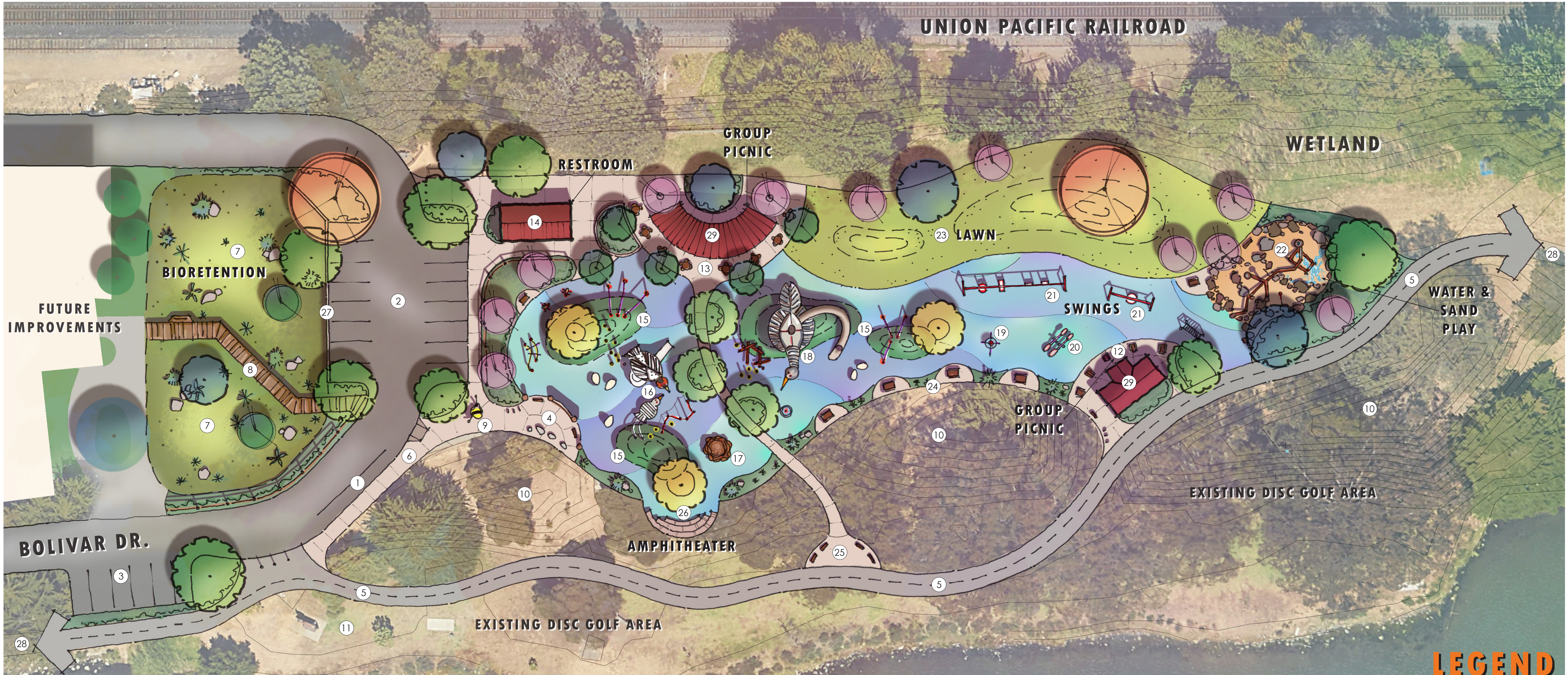


AQUATIC PARK IMPROVEMENTS

CONCEPT A • DREAMLAND RE-IMAGINED



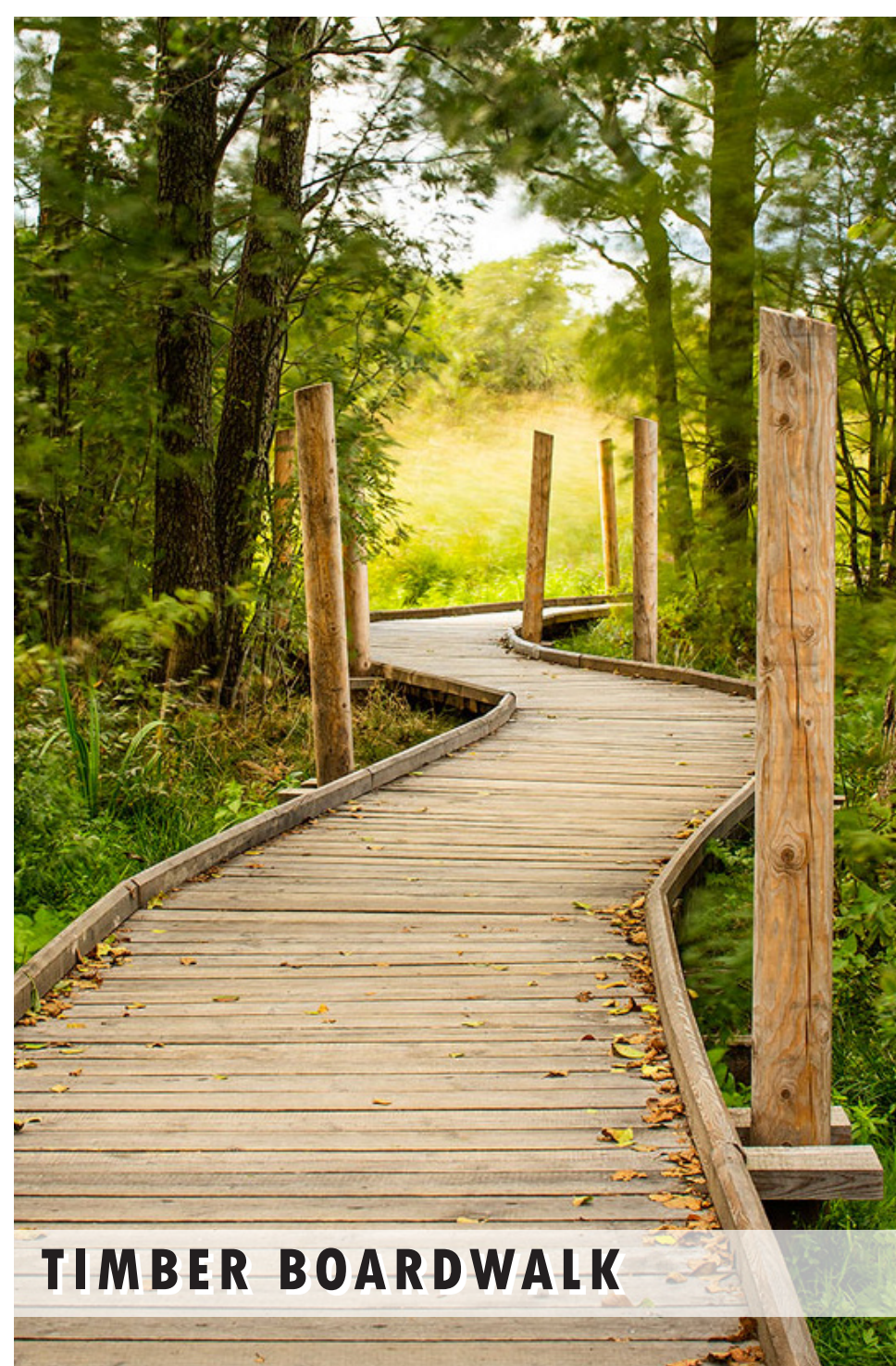
DECEMBER 7, 2024



Aquatic Park was formally dedicated for public use in 1937 at a celebration entitled “Pageant of the Land and Sea”. Concept B celebrates this intersection of the rolling land dotted with Monterey Cypress trees with the waters of the Aquatic Park Lagoon. The playground features naturalistic themes, materials and colors, along with massive shorebird play structures to delight the imagination. Multiple group picnic areas and a restroom near the parking lot offer convenience for playground, bicycle path and disc golf users.

LEGEND		
1 Accessible Drop-Off Zone	11 Existing Disc Golf Area	21 Swings
2 Parking Lot - 15 Spaces +/-	12 Group Picnic Area with Tables and BBQ	22 Rocky Sand Play Area with Channels
3 Parking - 5 Spaces +/-	13 Picnic Area Accessible from Parking Lot	23 Rolling Mound Lawn
4 Entry Plaza with Signage and Seating	14 Restroom Building	24 Individual Picnic Tables
5 10ft Wide Multi-Use Path / Bike Route, Separated	15 Artificial Grass Play Mounds	25 Seating area with Bench Seats
6 Pedestrian Route	16 Grebe Tot Structure	26 Outdoor Classroom/Amphitheater
7 Bioretention Area	17 Nest Play Sculpture	27 Retaining Wall
8 Wooden Boardwalk through Bioretention Area	18 Green Heron Tower with Slide	28 Connection to Existing Multi-Use Path
9 Public Art	19 Spinner	29 Shade Structures
10 Existing Mound with Trees	20 See-Saw	

CITY OF BERKELEY
AQUATIC PARK IMPROVEMENTS
CONCEPT B • LAND + SEA PLAYGROUND



TIMBER BOARDWALK



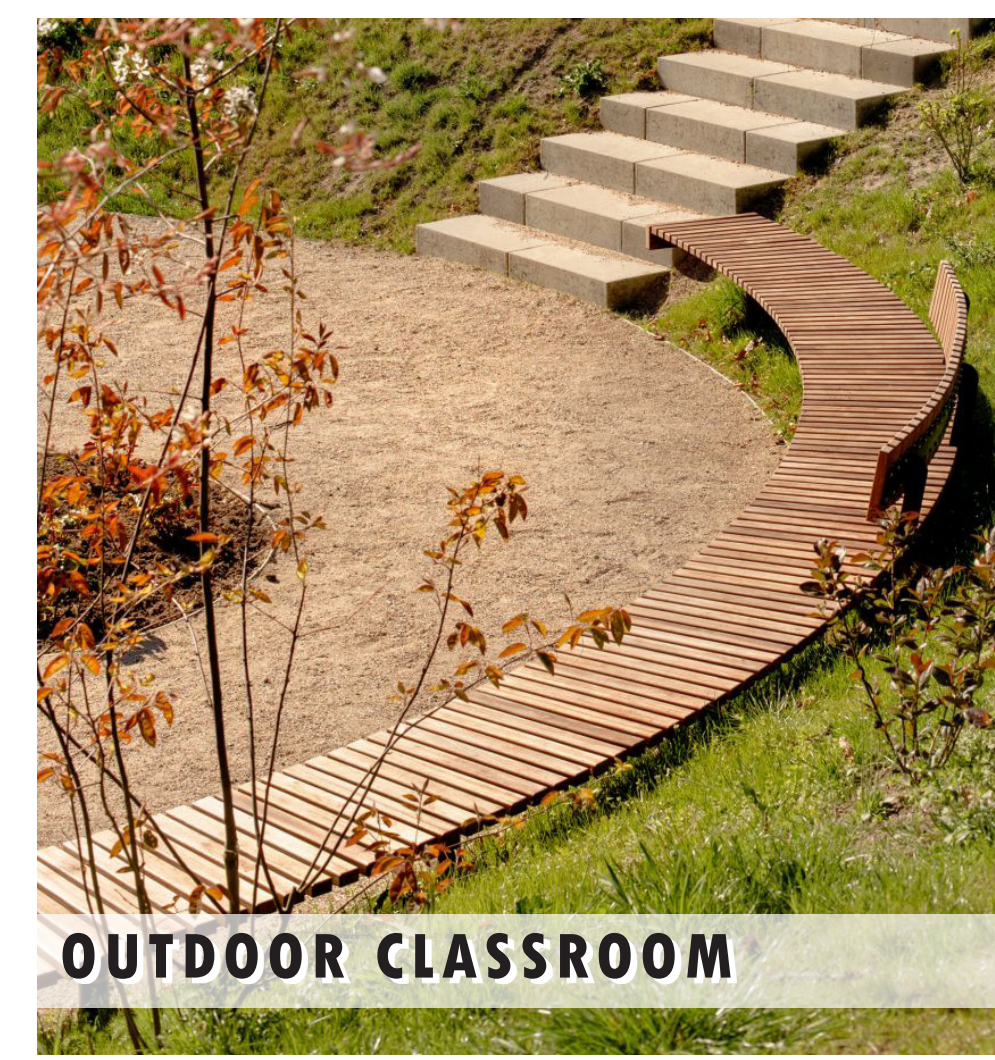
WATER PLAY



SCULPTURAL PLAY



SLOPE PLAY



OUTDOOR CLASSROOM



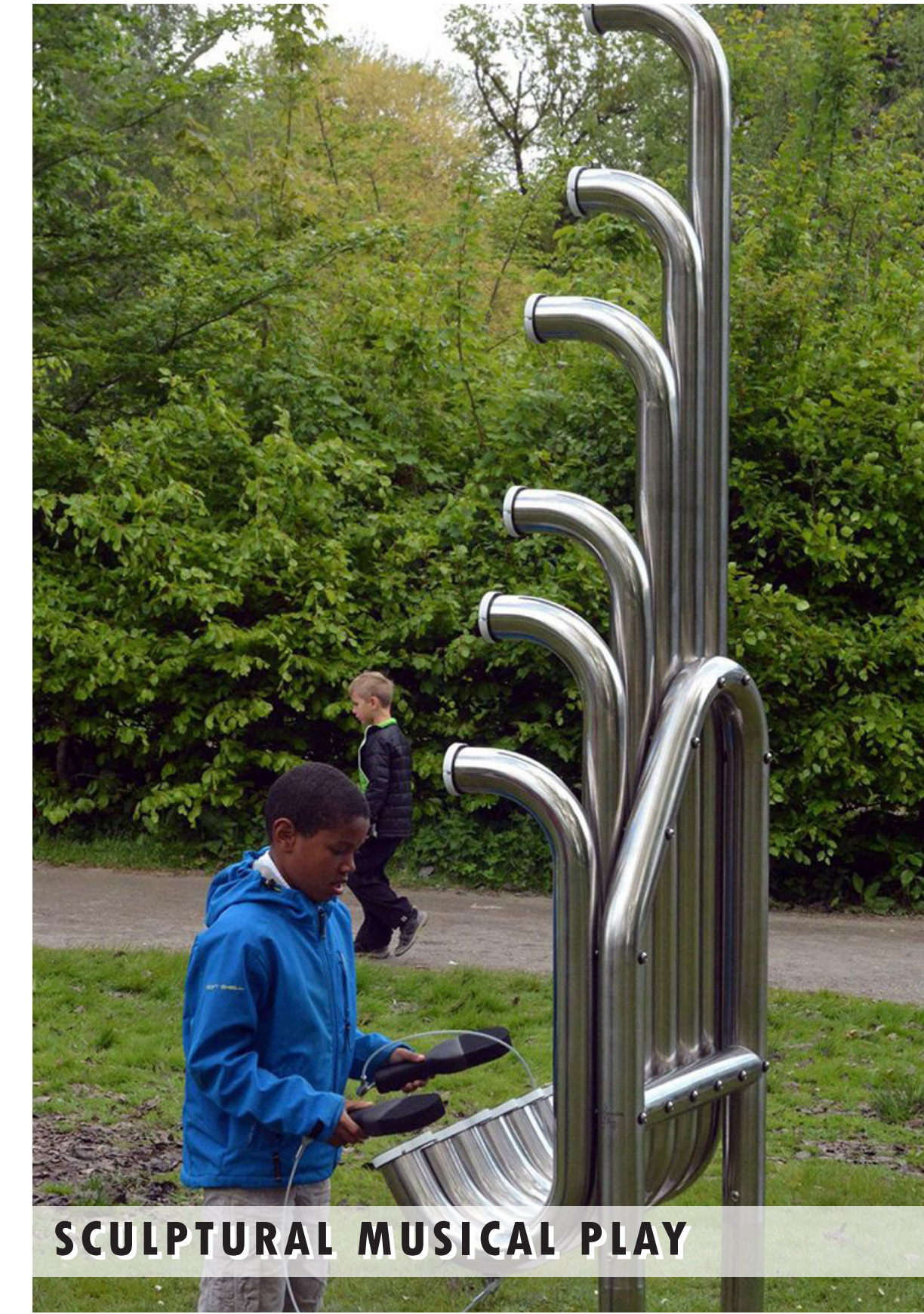
GROUP PICNIC SHADE STRUCTURE



FANTASTICAL PLAY STRUCTURE



FLYING THEMED PLAY STRUCTURE



SCULPTURAL MUSICAL PLAY



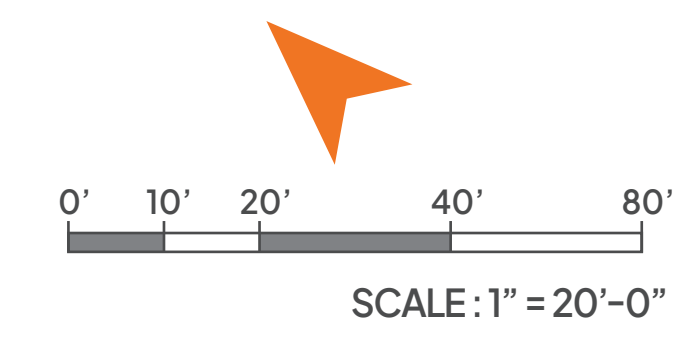
THEMED MULTI-SWING SET



ART & PLAY



AQUATIC PARK IMPROVEMENTS CONCEPT A • INSPIRATION IMAGERY





RESTROOM / MAINTENANCE BUILDING



BIORETENTION PLANTING



SENSORY PLAY



MUSICAL PLAY



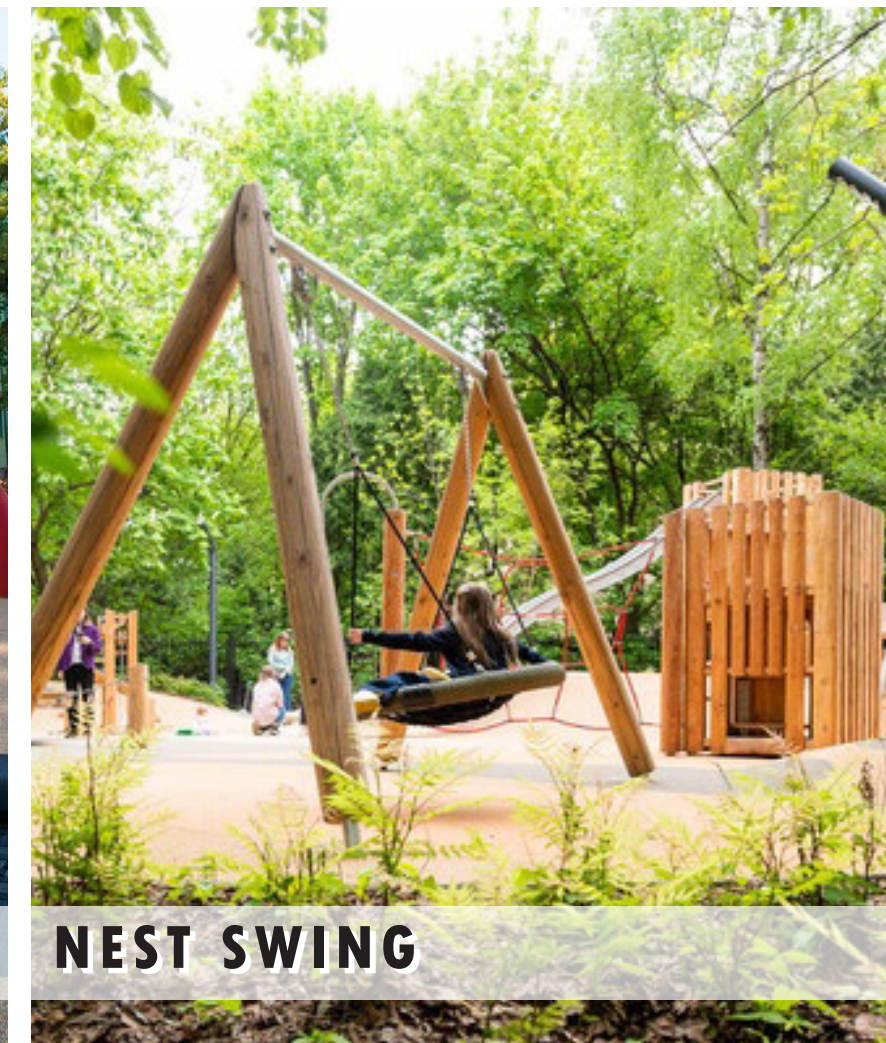
OUTDOOR CLASSROOM AMPHITHEATER



SPINNER



BOUNCERS



NEST SWING



SAND & WATER PLAY



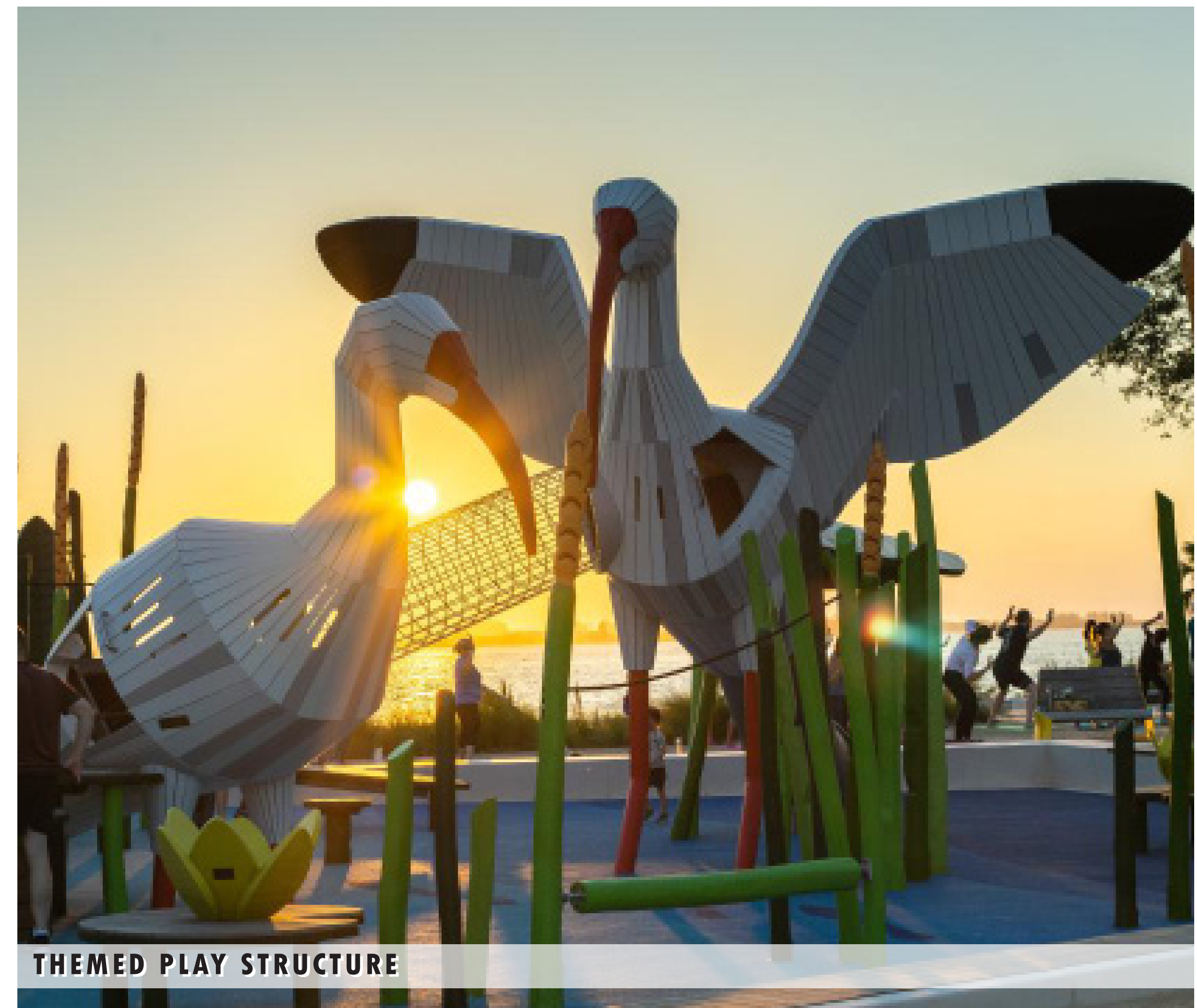
ENTRY SIGNAGE



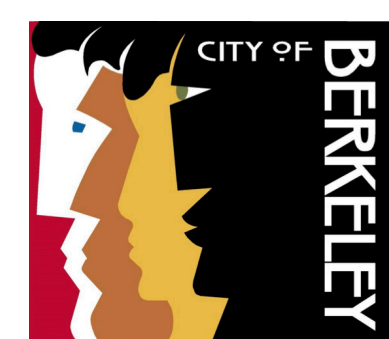
WATER BIRD THEMED PLAY STRUCTURE



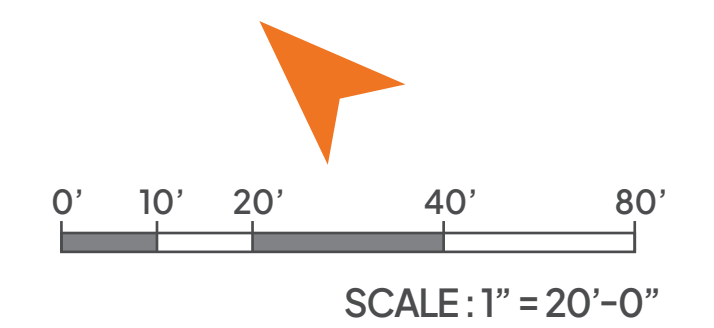
CONCRETE CRITTERS



THEMED PLAY STRUCTURE



AQUATIC PARK IMPROVEMENTS CONCEPT B • INSPIRATION IMAGERY



DECEMBER 7, 2024

